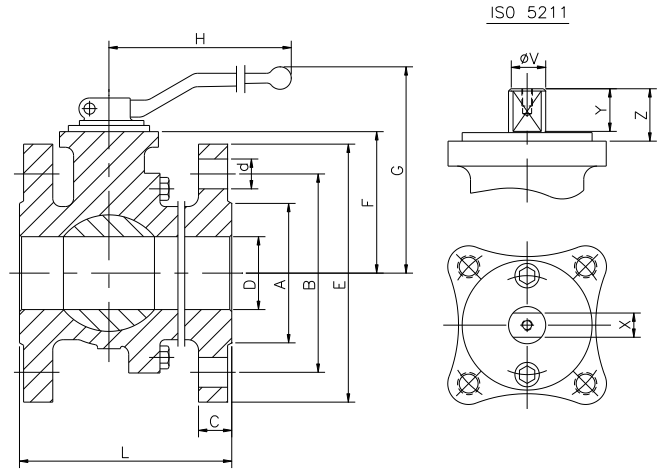
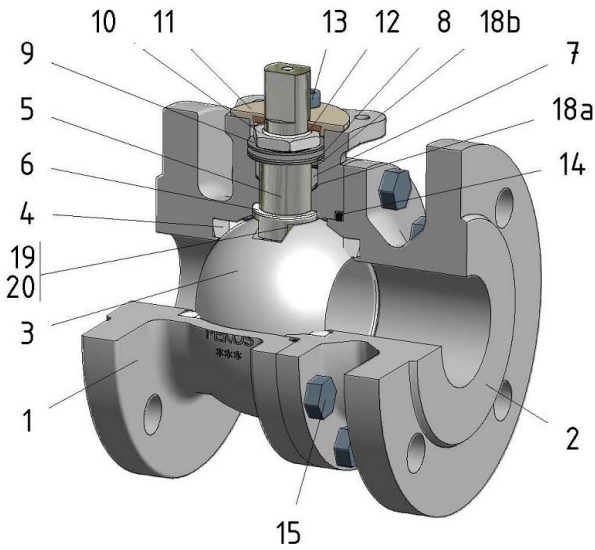


FIG. 02 TTT PN16 DN15/80 F4-F5



Position	Description	Material
01	Body 1	GGG 40
02	Body 2	GGG 40
03	Ball	S.S. 1.4408/CA15
04	Seat	PTFE (modified)
05	Stem	S.S. 1.4021
06	Stem seal	PTFE (modified)+FG
07	Stem packing	PTFE (modified)
08	Gland packing	S.S. 1.4401
09	Spring washer	S.S. 1.4310
10	Stem nut	S.S. 1.4305
11	Cover	S.S. 1.4408
12	Cover ring	PTFE (modified)
13	Cover bolt	A4-70
14	Body seal 1	PTFE (modified)
15	Body bolt	1.045(8.8)
16	Handle	WCB
17	Handle bolt	1.045(8.8)
18	Thrust washer	PTFE (modified)+CG
19	Spring	S.S. 1.4401
20	Antistatic ball	S.S. 1.4401

General features

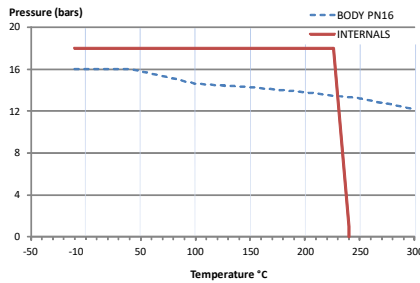
- Floating ball.
- Split body.
- Full bore.
- Soft seat.
- Bidirectional.
- Anti Blow out proof stem.
- Autoadjustable packing.
- Anti static device.
- Self-cavity pressure relief.

Standards

- Top flange ISO 5211
- Flanges EN 1092-02
- Face to face EN 558
- Testing EN-12266, ISO 5208
- Design EN-12516, ISO 17292

Official approvals

- ATEX 2014/34/EU
- PED 2014/68/EU
- EN 161/EN ISO 23553-1



PEKOS GROUP CERTIFICATES:
ISO 9001: 2015 / 2014/68/EU / API-6D



DIMENSIONS & Technical information

DN	PN	D	L	E	A	B	C	F	H	G	V	X	Y	Z	n x d	ISO 5211	Torque	MAST	Weight
15	16	15	115	95	45	65	16	52	185	100	12	8	13	16	4 x 14	F05	8	37	3
20	16	20	120	105	58	75	18	54	185	102	12	8	13	16	4 x 14	F05	10	37	4
25	16	25	125	115	68	85	18	60	185	110	16	10	19	22	4 x 14	F05	14	80	5
32	16	32	130	140	78	100	18	65	185	115	16	10	19	22	4 x 18	F05	21	80	6
40	16	40	140	150	88	110	18	75	293	129	20	14	22	25	4 x 18	F07	31	175	8
50	16	50	150	165	102	125	20	83	293	137	20	14	22	25	4 x 18	F07	46	175	11
65	16	65	170	185	122	145	18	96	293	150	20	14	22	25	4 x 18	F07	55	175	16
80	16	80	180	200	138	160	20	114	450	187	25	19	24	27	8 x 18	F10	85	363	22

** Depending on service conditions.

* Dimensions are in mm.

* Torque & MAST are in Nm.

* Weight is in Kilograms

* Torque values have been measured ΔP at maximum rating at room temperature